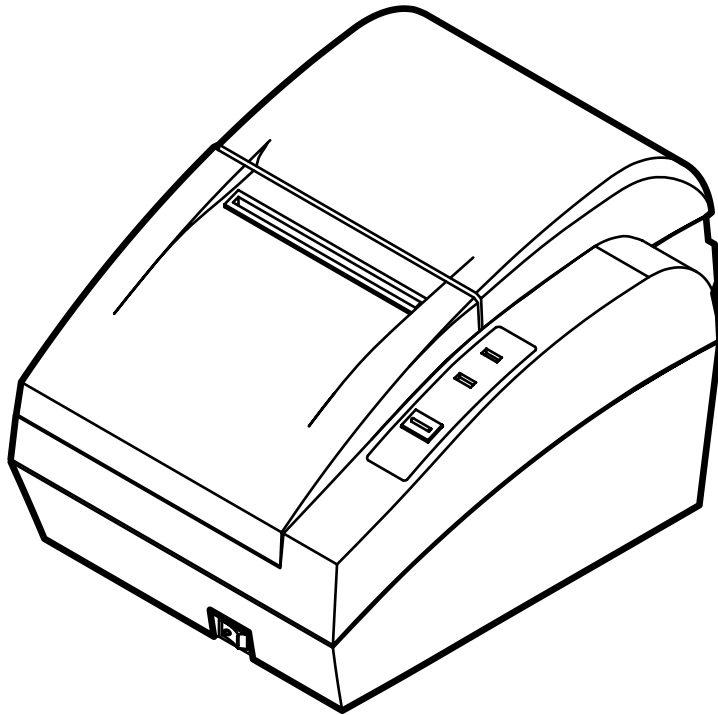


DATE: July. 2001
MANUAL REVISION 2.0

STP131 Series

Operator's Manual



Warning - U.S

This equipment has been tested and found to comply with the limits for a Class A digital device pursuant to Part 15 of the FCC Rules. These limits are designed to provide reasonable protection against harmful interface when the equipment is operated in a commercial environment. This equipment generates uses, and can radiate radio frequency energy and, if not installed and uses in accordance with the instruction manual, may cause harmful interference to radio communications. Operation of this equipment in a residential area is likely to cause harmful interference in which case the user will be required to correct the interference at his own expense.

Notice - Canada

This Apparatus complies with class "A" limits for radio interference as specified in the Canadian department of communications radio interference regulations.

Get appareil est conforme aux normes class "A" d'interference radio tel que specifier par ministre canadien des communications dans les reglements d'interference radio.

Caution

Some semiconductor devices are easily damaged by static electricity. You should turn the printer "OFF", before you connect or remove the cables on the rear side, in order to guard the printer against the static electricity. If the printer is damaged by the static electricity, you should turn the printer "OFF".

Introduction

The STP131 Series Roll Printer are designed for use with electronic instruments such as system ECR, POS, banking equipment peripheral equipment, etc.

The main features of the printer are as follows:

1. High speed printing : 17.3(1/6" Feed) lines per second.
2. Low noise thermal printing.
3. RS-232(STP131 Series), Parallel(STP131 Series)
4. The data buffer allows the unit to receive print data even during printing.
5. Peripheral units drive circuit enables control of external devices such as cash drawer.
6. Characters can be scaled up to 64 times compared to it's original size.
7. Bar code printing is possible by using a bar code command.
8. Different print densities can be selected by DIP switches.

Please be sure to read the instruction in this manual carefully before using your new STP131 Series.

NOTE : The socket-outlet shall be near the equipment and it shall be easy accessible.

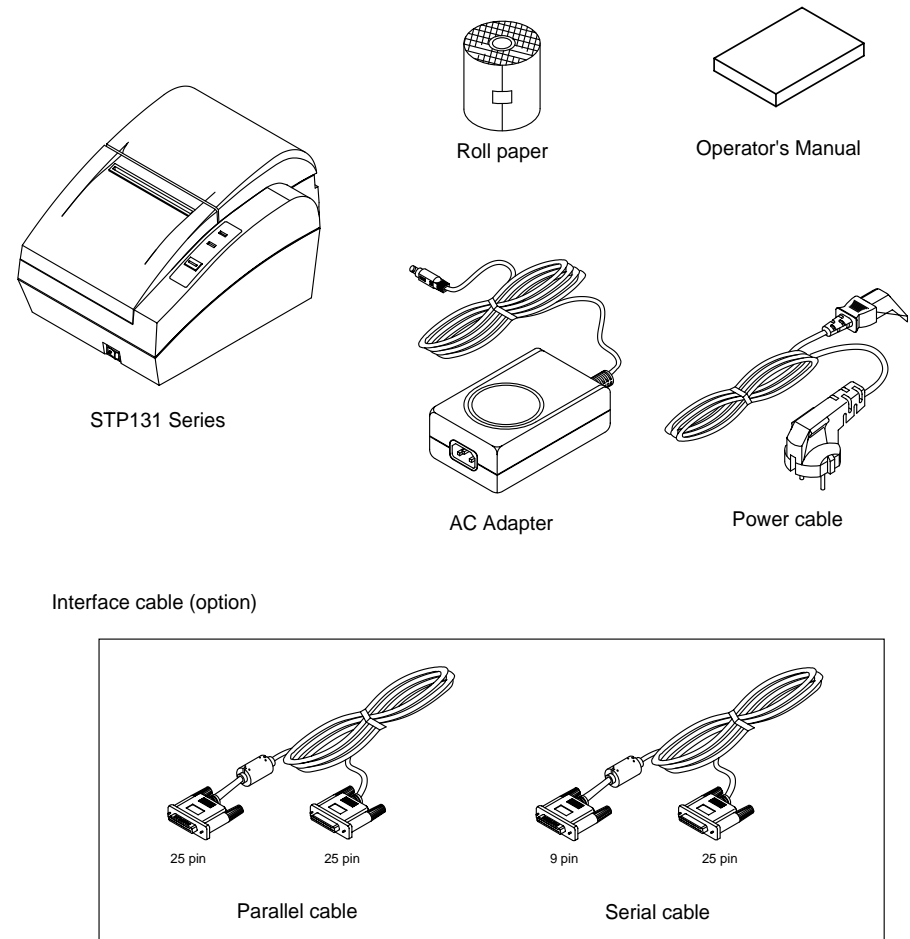
Table of Contents

Chapter 1. Setting up the printer	4
1-1. Unpacking	4
1-2. Connecting the cables	5
1-3. Connecting the computer	6
1-4. Connecting the drawer	6
1-5. Connecting the power supply	7
1-6. Installing or replacing the paper roll	8
1-7. Adjustments and settings	10
1-8. Using the Printer	10
Chapter 2. Hexadecimal dumping	12
Chapter 3. The self test	13
Chapter 4. Code table	14
Chapter 5. Control commands	22
Appendix	44
A. Connectors	44
Interface connector	44
Drawer connector	46
B. Notes	46
C. Specification	47

Chapter 1. Setting Up the Printer

1-1. Unpacking

Your printer box should include these items. If any items are damaged or missing, please contact your dealer for assistance.



This is a “Table of Contents preview” for quality assurance

The full manual can be purchased from our store:

[https://the-checkout-tech.com/manuals/Samsung/STP-131 series user manual.html](https://the-checkout-tech.com/manuals/Samsung/STP-131%20series%20user%20manual.html)

And our free Online Keysheet maker:

<https://the-checkout-tech.com/Cash-Register-Keysheet-Creator/>

[HTTPS://THE-CHECKOUT-TECH.COM](https://THE-CHECKOUT-TECH.COM)